

5005/6PL LonWorks Power Line Touch Pad



5005/6PL 5/6 Keys Touch Pad

For easy installation & configuration of 5005/6PL by default provide simple function for direct control circuit of light. First and second key use for circuit switch ON/OFF and third, fourth, fifth for dimming function.

1. Switch Object



Switch Object

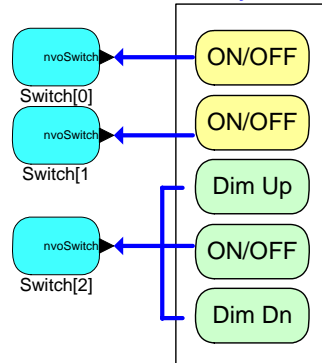
Network Variables

NV Name	NV Type	Comment
nvoSwitch	SNVT_switch	Present key status for press/ release.

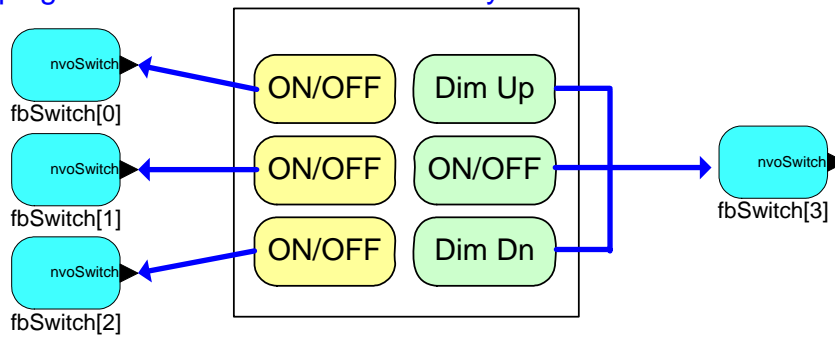
Configuration Properties

CP Name	CP Type	Index	Comment
nciLocation	SCPTlocation	17	Location label for engineering memo
nciMaxOut	SCPTmaxOut	93	Define for dimming function maximum output value (for Dimming function keys only)
nciStepValue	SCPTstepValue	92	Define for dimming function' s increase/decrease value for each time press key (for Dimming function keys only)
UCPTactiveSw	UCPTactiveSw	8	Define value of touch key press event of nvoSwitch output value.
UCPTinactiveSw	UCPTinactiveSw	9	Define value of touch key release event of nvoSwitch output value.

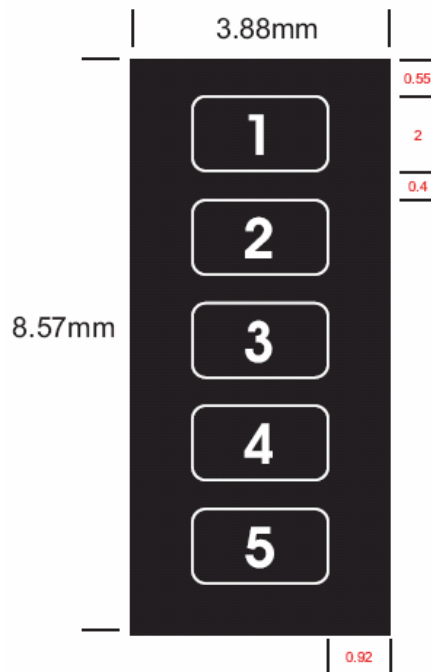
2. Mapping function blocks of 5005PL 5 Keys Touch Pad



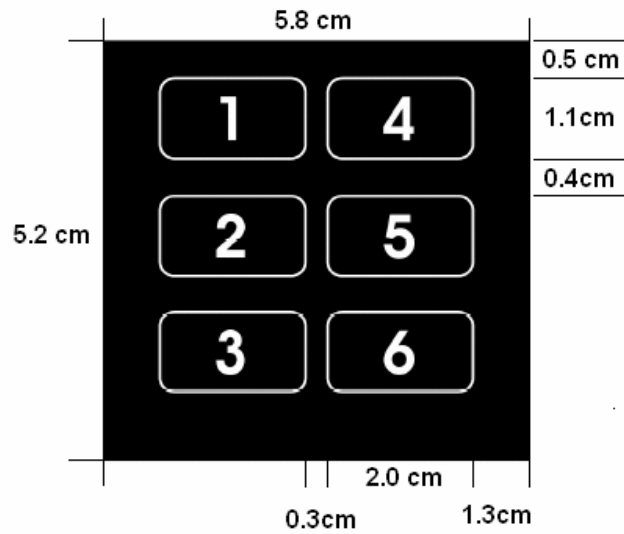
3. Mapping function blocks of 5006PL 6Keys Touch Pad



4. 5005PL 5 Keys Touch Pad's Films Layout size



5. 5006PL 6 Keys Touch Pad's Films Layout size



Contacts information

Nico Technology Inc.(Taiwan)
6F,No.93,Xinhu 1st Rd, Neihu Dist, Taipei City 114, Taiwan

TEL: +886-2-2790-6308
FAX: +886-2-2790-6603
Web: www.nico-tech.com

Internal market: Thomas Choo (Thomas@nico-tech.com)