

Nico 8000L Energy Management Module*



Overview

The 8000L Energy Management Module is used as a controller for reducing refrigeration energy consumption. It controls, supervises, monitors, and manages multiple system devices to achieve maximum energy efficiency.

The unique Auto/Manual switch mode enables switching from current energy-saving mode back to local system if diagnosing any faults in the system. This function ensures system stability and reliability at all times.

Features

- Lonworks technology applied
- Auto-Manual switch mode to ensure system reliability and stability
- Built-in 4 RTD sensors to monitor accurate temperature values
- 5 interface ports for compressor, valve, fan, defrost heater, dew heater...etc.
- Self-detecting and alarming function
- Customized applications can be incorporated

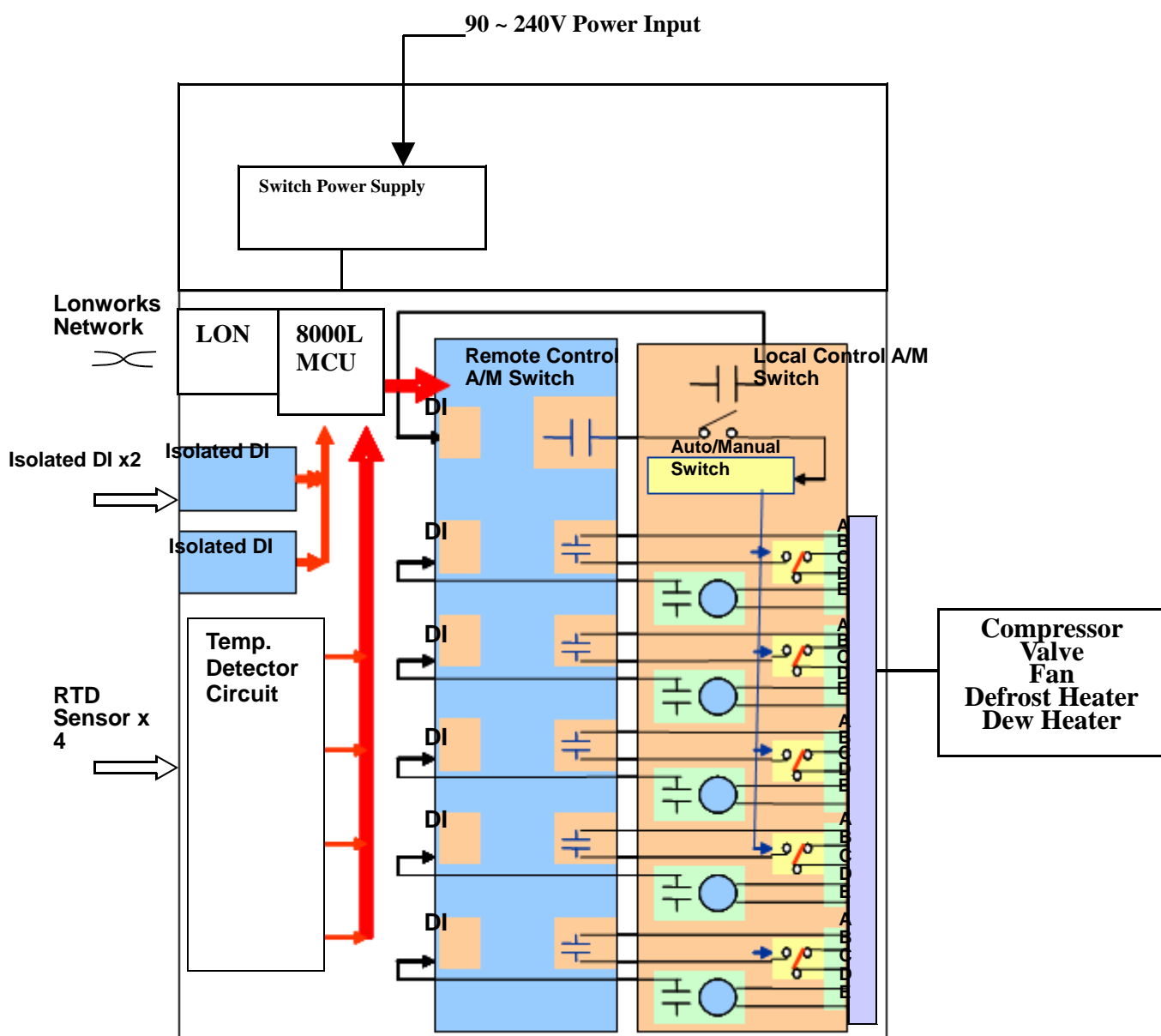
Specification

- Processor: Echelon FT-3150
- Power Supply: 90-245V AC, 50/60Hz
- Network: FTT-10 networks
- Output: 5 interface ports for compressor, Valve, Fan, Defrost heater, dew heater...etc.
- Input: 2 isolated DI for alarm system

* Patent pending

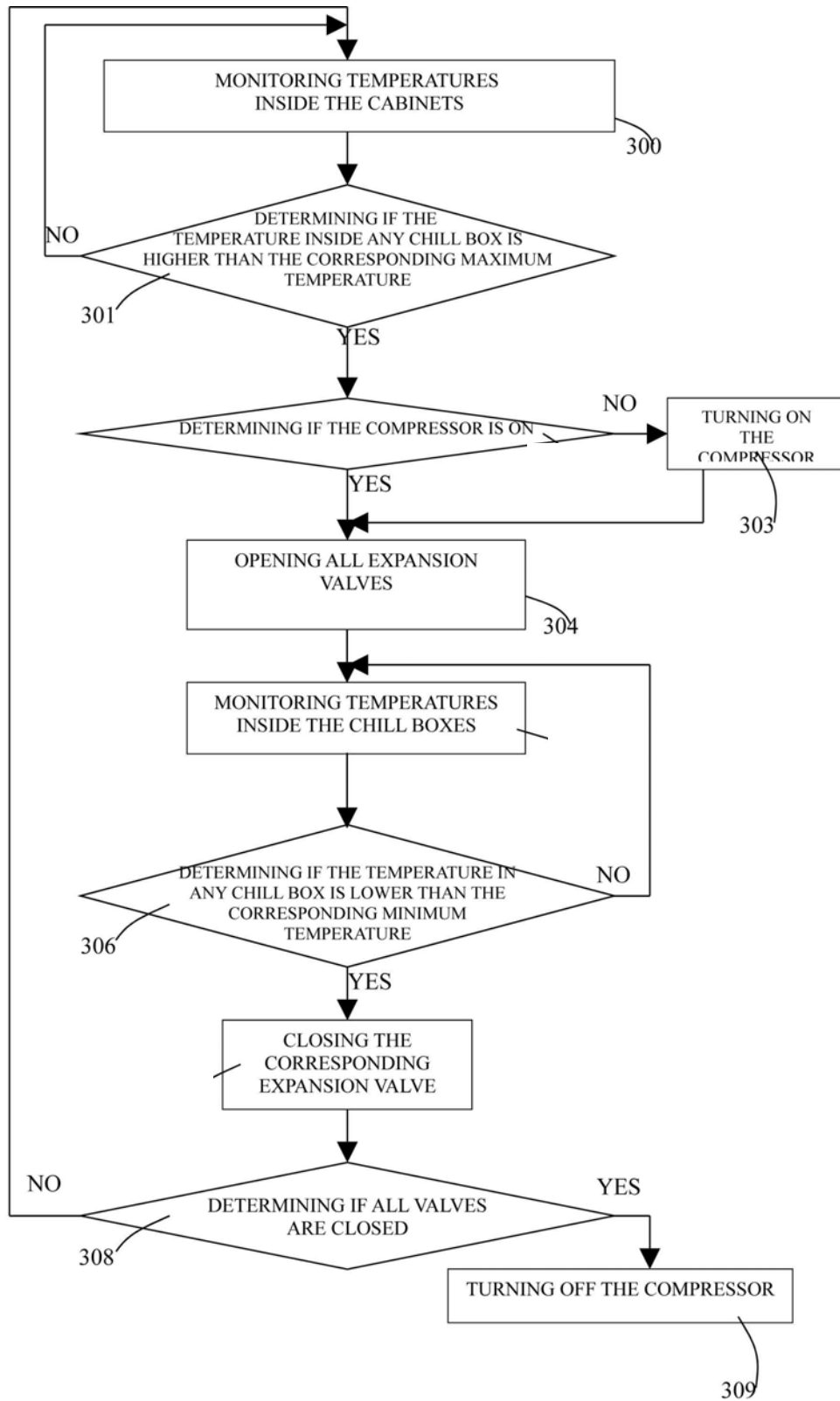
- 1 switch for Auto/Manual
 - Auto: Energy-saving mode
 - Manual: Original mode
- 4 RTD sensor input for Temperature measurement
 - Temperature range: $-40^{\circ}\text{C} \sim 100^{\circ}\text{C}$
 - Sensor probe length: Maximum 30M
 - Sensor type: PT1000

Block Diagram*

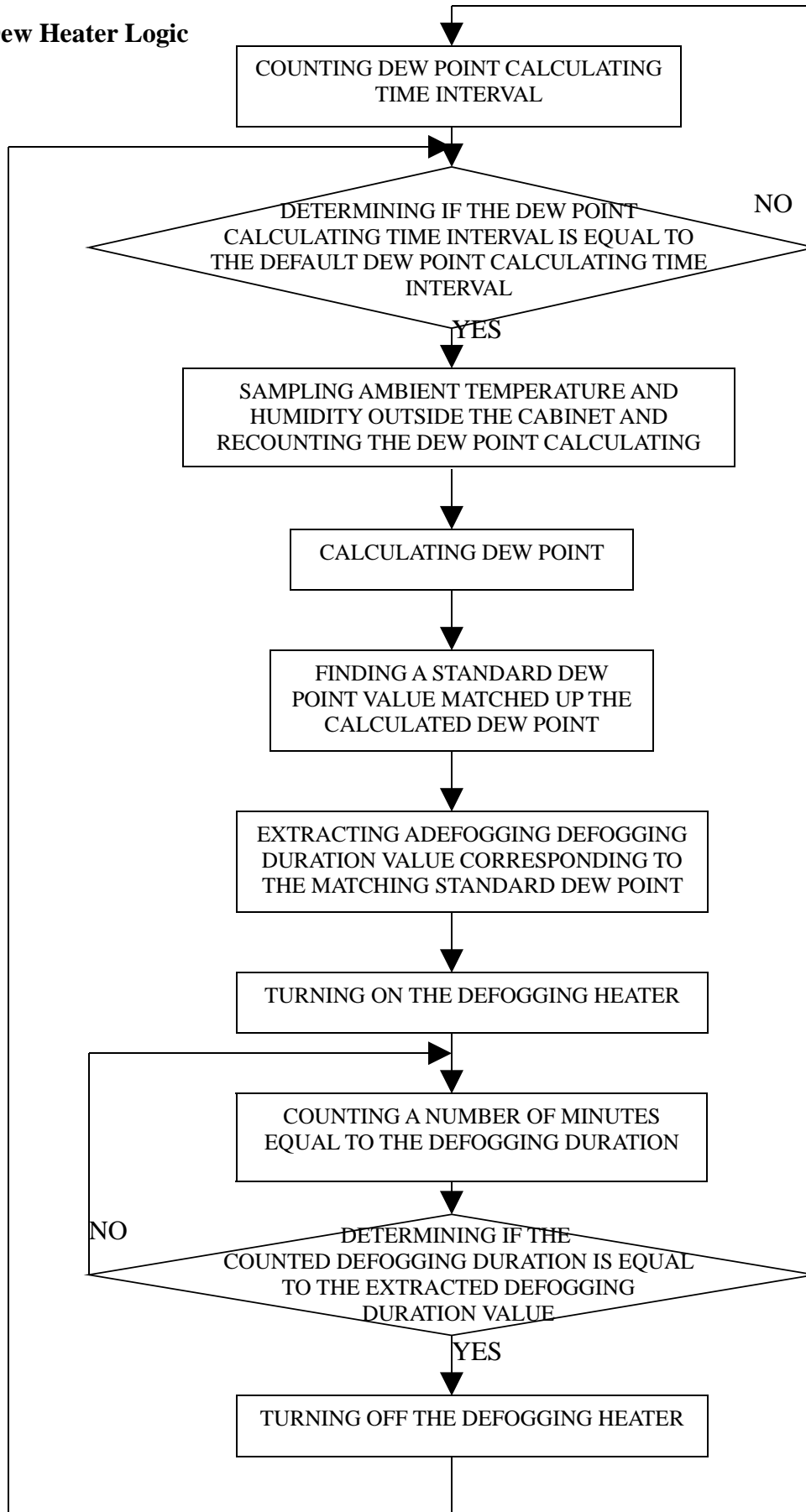


* Patents pending

Open Case Valve Logic



Dew Heater Logic



Defrost Logic

