



Nico
Technology

RF Receiver For Sensor

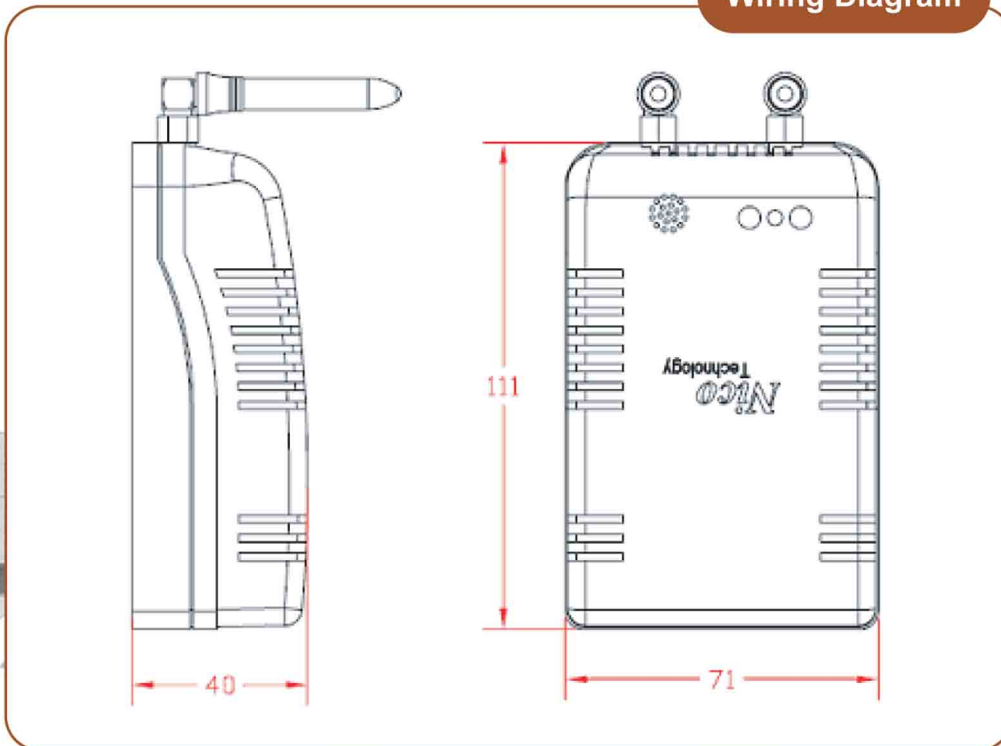
The 7600RF-SR RF Receiver is a 2.4GHz RF Receiver with LonWorks FTT-10 network. It receives CRC error-checked data packets from Nico sensors, processes the data, and makes the data available to be automatically by time dividing. The Standard Network Variable Type can be viewed with any LonWorks network management tool. The 7600RF-SR communication with a LonWorks FTT-10 transceiver it's will easy for integration.

The alarm condition can be easy to configure by configure properties and automatically to generate event.

Monitoring – The easiest way to get information from the 7600RF-SR RF Receiver is to view the current sensor values. This can be accomplished with a LonWorks network management tool or integrate with Echelon i.LON 100 Internet Server. (no software coding required) or polling by a host. Both alarm and data are available. Especially for battery life also can view from network management or Echelon i.LON 100 Internet Server.



Wiring Diagram



Specifications

Model : 7600RF-SR RF Receiver For Sensor

CPU : Echelon Neuron 3150,10MHz

Memory : 48K bytes flash EPROM,4K bytes SRAM

LonWorks Transceiver : FT-X1

Power supply : 12~24VDC(24VDC Recommend)

Power consumption : 1.5w

Connection : M2.5 screw (Pitch:3.81mm)

Temperature : Operation 0 ~ +50

Storage -20 ~ +70

Admitted relative humidity : 10 ~ 90%, non condensing

Dimensions : 71 x 111 x 40 mm,

Mounting : Wall Mount

Display & Operation : Service and Reset LED indicator and button

Max. connections : 8 Wireless sensor devices

Max. trans length : 10 Meters

Features:

- 2.4GHz Receiver
- Supports all Nico Sensors
- Communicate: LonWorks FTT-10 network.
- Event base alarm: Alarm is trigger depends on configuration condition.
- 128 Sensors maximum for extend.
- Easy for integrate with LonWorks system: Standard Network Variable Type use