

*Nico*  
Technology

## Lux Sensor

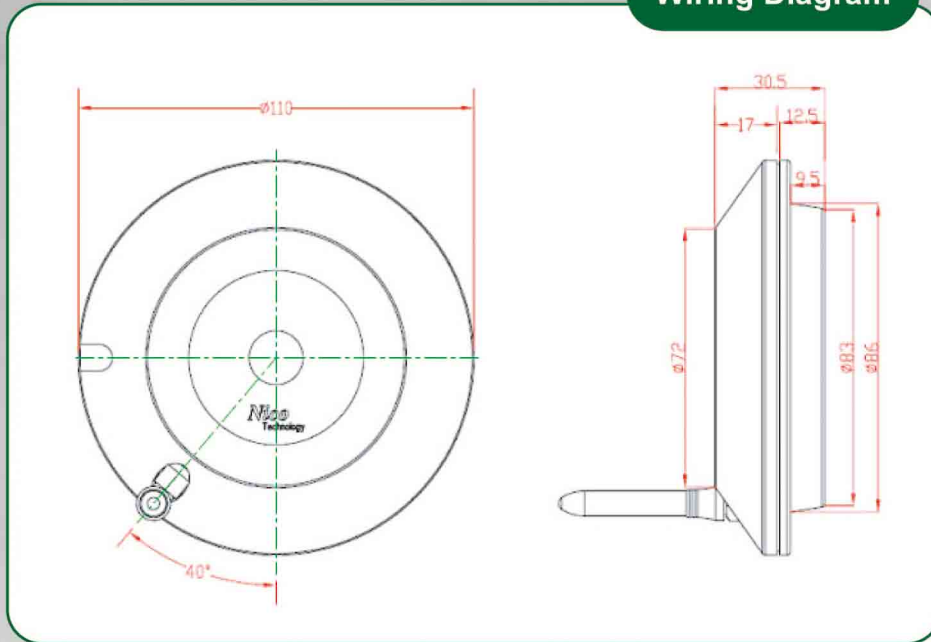
7200RF is an optimal detector with reliability proven digital illumination sensor chip for indoor measurement of illumination system. By using 2.4GHz RF technology, it's easy for installation & configuration.

All the wireless sensors are battery based and the battery can last at least 12~18 months. The monitor and control system can thru LonWorks network variables get all information for application, e.g. sensor value, sensor alarm (High limit/Low limit/Invalid data/Sensor dead) and battery life. User can define owner sensor limit scope by configure properties thru LonWorks network management tool.

Every single sensor network can manage eight wireless sensor devices by DIP switch to adjust different wireless transmission channel and sensor ID. The network could be up to 16 sensor networks. That means it totally allows 128 sensor devices used at same location.



**Wiring Diagram**



**Specifications**

**Model :** 7200RF

**CPU :** Microchip PIC 16x

**Memory :** 4K bytes EEPROM

**Transceiver :** 2.4G Wireless ISM band

**Power supply :** AA \* 3 battery

**Power consumption :** 10~20mA

**Connection :** Wireless Data Transmission

**Temperature :** Operation 0 ~ +50

Storage -20 ~ +70

**Admitted relative humidity :** 5 ~ 93%, non condensing

**Dimensions :** Ø110 x H30.5mm,

**Mounting :** Mount for ceilings

**Display & Operation :** Data transmission LED indicator

**I/O Channels :** 1 for Lux sensor detector

**Measurement Range :** 0 ~ 3000 Lux ± 15%

**Transmission Distance :** 10 meters

**Sample Interval :** 30s

**Features:**

- 2.4GHz Wireless ISM band
- work with 7600RF-SR easy for communication with standard EIA709 network.
- provide battery life, high and low limit setting for real-time monitoring.
- Each 7600RF-SR max connects eight wireless sensor devices.
- Network ID and Remote controller ID adjust by dip switches easy for installation.
- Standard Network Variable Type in use easy for integrate with LonWorks system.
- Test and Run-Time mode switch for installation phase test.
- low power consumption battery life 12~18 months.
- 3 bits dip switch for sensor device's ID, 4 bits dip switch for network id settings.

**Nico Technology Ltd.**

24F, No.37 San Min Rd. Sec. 2 TEL: 886.2.2954.5338  
Panchiao, Taipei County (220) FAX: 886.2.2954.5308  
Taiwan, R.O.C. www.nico-tech.com