

Nico
Technology

Temperature & Humidity Sensor

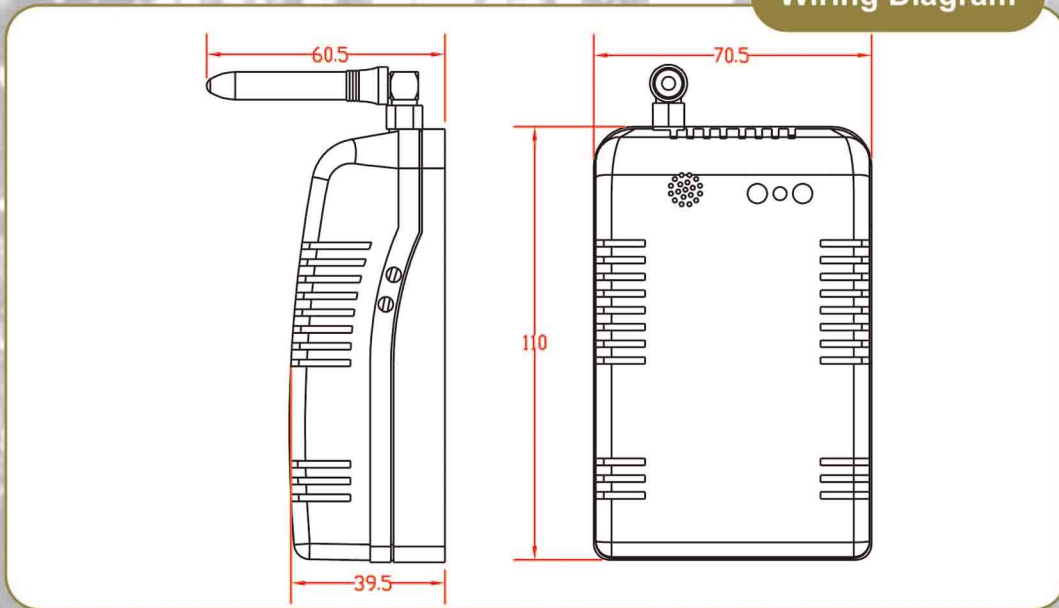


The 7002RF Temperature and Humidity wireless transmitter is a battery operated Room temperature sensor with a microprocessor controlled 2.4GHz FCC certified radio transmitter. The 7002RF Temperature has an board time of internal clock that allow it to spend most of the time in a low power quiescent state. At predetermined time interval the clock will wake up the onboard microprocessor. Sensor and Network ID can adjust by DIP switches.

This information is combined with a CRC error check and transmitted in a very short data packet that results in a transmitter on time of only 15 milliseconds. This architecture allows the 7002RF Temperature and Humidity to consume very little energy and a battery life of 12 to 16 months results.



Wiring Diagram



Specifications

Model : 7002RF

CPU : Microchip PIC 16x

Memory : 4K bytes EEPROM

Transceiver : 2.4G Wireless ISM band

Power supply : AA * 3 battery

Power consumption : 10~20mA

Connection : Wireless Data Transmission

Temperature : Operation -20 ~ +70°C

Storage -20 ~ +70

Admitted relative humidity : 5 ~ 93%, non condensing

Dimensions : W:70.5mm x H:110mm x D:39.5mm

Mounting : Wall Mount

Display & Operation : Data transmission LED indicator

I/O Channels : 1 humidity sensor detector

1 temperature sensor detector

Measurement Range : Temperature Sensor: -0 ~ +50°C ±1.0°C, other ±1.5°C

Humidity Sensor : 20~80%RH ± 3% other 5%

Transmission Distance : 10 meters

Sample Interval : 30s

Features:

- 2.4GHz RF Receiver
- 8-Bit unique DIP switch for adjust sensor ID
- 5-Bit unique DIP switch for adjust network ID.
- up to 10 meters range
- Transmission rate between 5 and 30 seconds depends on run time mode or test mode.
- Battery life at lasts for 12 to 16 months.
- CRC checked Status, ID and data.
- External Antenna.
- Low cost.

Nico Technology Ltd.

24F, No.37 San Min Rd, Sec. 2 TEL: 886.2.2954.5338
Panchiao, Taipei County (220) FAX: 886.2.2954.5308
Taiwan, R.O.C. www.nico-tech.com