



*Nico*  
Technology

## Freezer Sensor

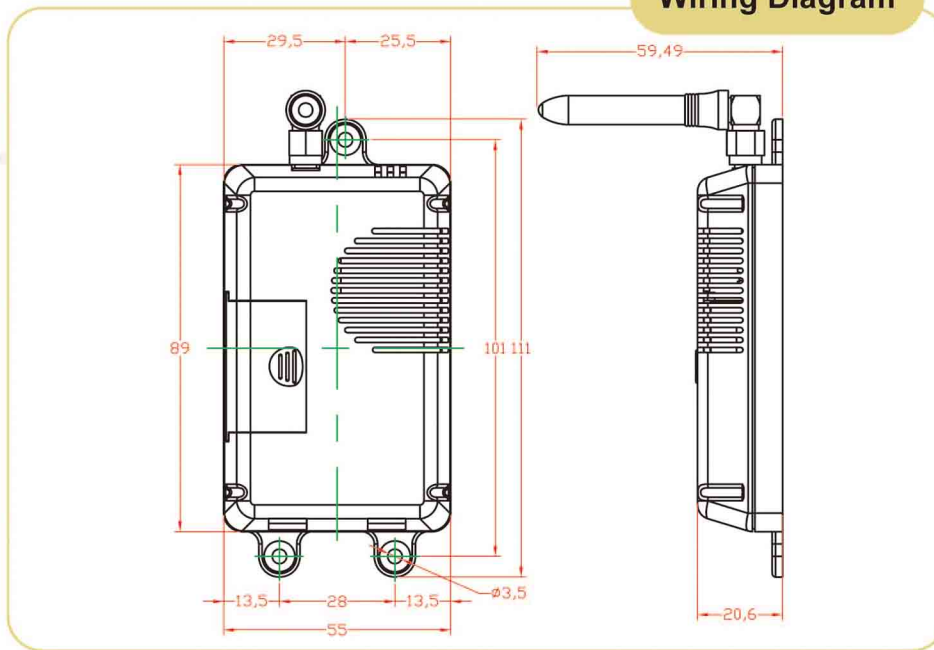


The 7001RF Temperature Sensor wireless transmitter is a battery operated Room temperature sensor with a microprocessor controlled 2.4GHz radio transmitter. The 7001RF Temperature Sensor has a board time of internal clock that allow it to spend most of the time in a low power quiescent state. At predetermined time interval the clock will wake up the onboard microprocessor. Sensor and Network ID can adjust by DIP switches.

This information is combined with a CRC error check and transmitted in a very short data packet that results in a transmitter on time of only 15 milliseconds. This architecture allows the 7001RF Temperature Sensor to consume very little energy and a battery life of 12 to 16 months results.



## Wiring Diagram



## Specifications

**Model : 7001RF**

**CPU : Microchip PIC 16x**

**Memory : 4Kbytes EEPROM**

**Transceiver : 2.4G Wireless ISM band**

**Power supply : AA \* 3 battery**

**Power consumption : 10~20mA**

**Connection : Wireless Data Transmission**

**Temperature : Operation -30 ~ +70°C**

**Storage -40 ~ +70**

**Admitted relative humidity : 5 ~ 93%, non condensing**

**Dimensions : W:50.5mm x H:89.5mm**

**Mounting : Wall Mount by screw or magnet**

**Display & Operation : Data transmission LED indicator**

**I/O Channels : 1 temperature sensor detector**

**Measurement Range : -30 ~ +70° C ± 1.5°C**

**Transmission Distance : 10 meters**

**Sample Interval : 30s**

### Features:

- 2.4GHz RF Receiver
- 8-Bit unique DIP switch for adjust sensor ID
- 5-Bit unique DIP switch for adjust network ID.
- Up to 10 meters range
- Transmission rate between 5 and 30 seconds
- Battery life at lasts for 12 to 16 months.
- Water resistant coating on PCB
- CRC checked Status, ID and data.
- External Antenna.
- Low cost.

Nico Technology Ltd.

24F, No.37 San Min Rd. Sec. 2 TEL: 886.2.2954.5338  
Panchiao, Taipei County (220) FAX: 886.2.2954.5308  
Taiwan, R.O.C. www.nico-tech.com