



*Nico*  
Technology

## RF Remote Controller

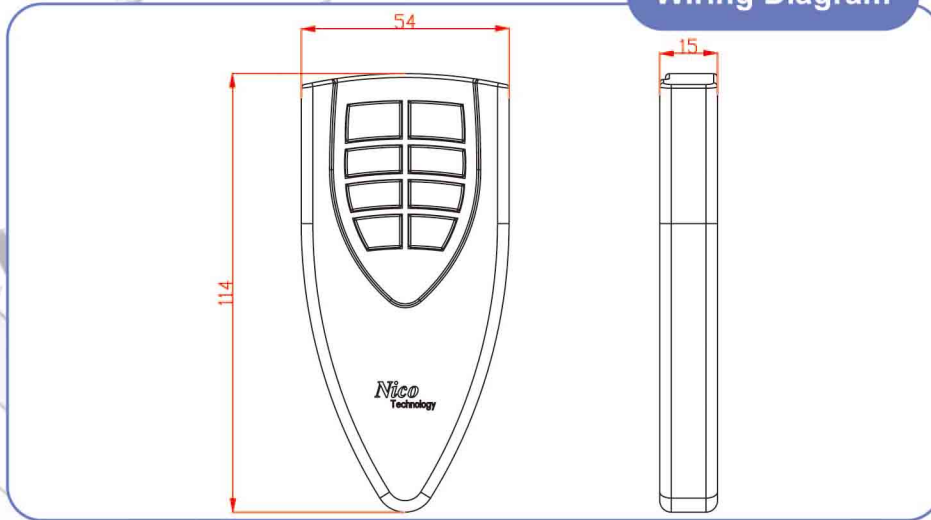
Remote works with any LonWorks distribution system with a connected tuner. It's handy to rely on a universal remote to control multiple components, Control any light or appliance remotely without running new wires with a wireless!

Nico 5508RF & 7600RF-RC is base on 2.4G RF remote controller, which accepts ON/OFF, DIM/BRIGHT and ALL ON/ALL OFF RF (Radio frequency) commands from the 5508RF RF Remote Control and ON/OFF signals from the Key Chain Remote Controller, as well. The 5508RF works with all 7600RF-RC Receivers by retransmitting those signals throughout a home's existing LonWorks network.

The 5508RF also incorporates a programmable capacity for user integrates with LonWorks network.



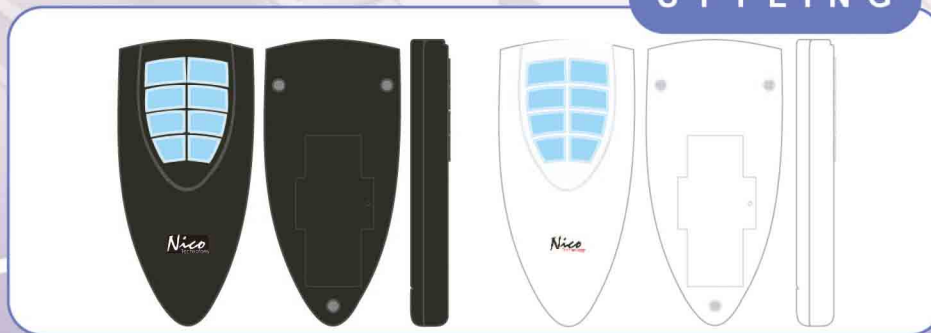
**Wiring Diagram**



**Specifications**

|  |
|--|
| <b>Model :</b> 5508RF  |
| <b>CPU :</b> PIC 16F   |
| <b>Memory :</b> 4Kbytes flash                                |
| <b>Transceiver :</b> 2.4G wireless IS M band                 |
| <b>Power supply :</b> AAA battery *2                         |
| <b>Connection :</b> 2.4GHz Wireless                          |
| <b>Temperature : Operation</b> 0 ~ +50° C                    |
| <b>Storage</b> -20 ~ +70° C                                  |
| <b>Admitted relative humidity :</b> 10 ~ 90%, non condensing |
| <b>Dimensions :</b> 54 x 114 x 15 mm,                        |
| <b>Max trans length :</b> 10Meters                           |

**STYLING**



**Features:**

- Intuitively easy-to-use layout and a familiar handheld controller shape.
- Eight Buttons in different shapes makes identification easily
- By using the 2.4G RF technology, it's no need to point the remote anymore
- Up to eight wireless remotes Controller working in a single house
- No rewiring is necessary
- Easy integration with LonWorks networking
- 8 programmable keys interface for equipment control functions like On/Off, Dim/Brighten, etc