



**Nico**  
Technology



## Digital Thermostat Module

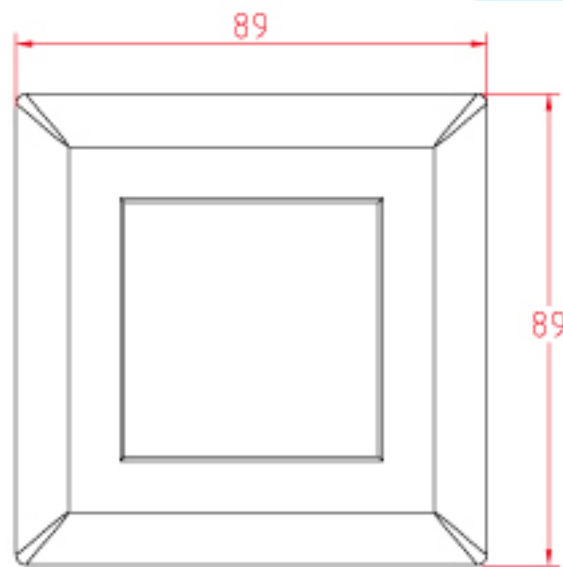
The 5105LT Digital Thermostat Module (DTM) display and provide space temperature, setpoint and fan mode/speed display for the LonWorks Fan Coil Terminal Unit Controller.

Using the Touch-Screen interface, the user can change room temperature setpoint, fan mode/speed.

This wall module is compatible with LonWork Fan Coil Terminal Unit Controller.



### Wiring Diagram



### Specifications

<b>Model :</b> 5105LT Digital Thermostat Module	
<b>CPU :</b> Echelon Neuron 3120	
<b>Memory :</b> 12Kbytes ROM,2Kbytes RAM	
<b>LonWorks Transceiver :</b> FT-X1	
<b>Power supply :</b> 12~ 24V(DC)	
<b>Power consumption :</b> 10~20mA	
<b>Connection :</b> Plug-screw clamp 0.2-2.5mm	
<b>Temperature :</b> Operation	0 ~ +40°C
Storage	-20 ~ +60°C
<b>Admitted relative humidity :</b> 5 ~ 90%, non condensing	
<b>Dimensions :</b> W89mm X H89mm X D38 mm	
<b>Mounting :</b> Wall mount	
<b>Set point Adjustment Range :</b>	
<b>Fahrenheit :</b> 53.6 to 86°F	<b>Centigrade :</b> 12 to 30°C
<b>Set point Display Resolution :</b>	
<b>Fahrenheit :</b> 1°F	<b>Centigrade :</b> 0.5 °C
<b>Temperature Display Resolution :</b>	
<b>Fahrenheit :</b> 0.1°F	<b>Centigrade :</b> 0.1°C

### Features:

- Full compatible to a wide range of fan Coil applications and VAV system.
- Low power consumption
- LCD display continuously show current space temperature, fan status/mode as configured.
- Touch-screen interface for full navigation and change control of wall module functions.
- Touch screen interface for Setpoint adjustment.
- Integral NTC sensor.
- Fan Speed/Mode commendable for touch screen(\*).
- Selectable °F/°C temperature display.
- Separate mounting base for easy installation.

Nico Technology Taiwan Ltd.

24F, No.37 San Min Rd. Sec. 2 TEL: 886.2.2954.5338  
Panchiao, Taipei County (220) FAX: 886.2.2954.5308  
Taiwan, R.O.C. www.nico-tech.com